

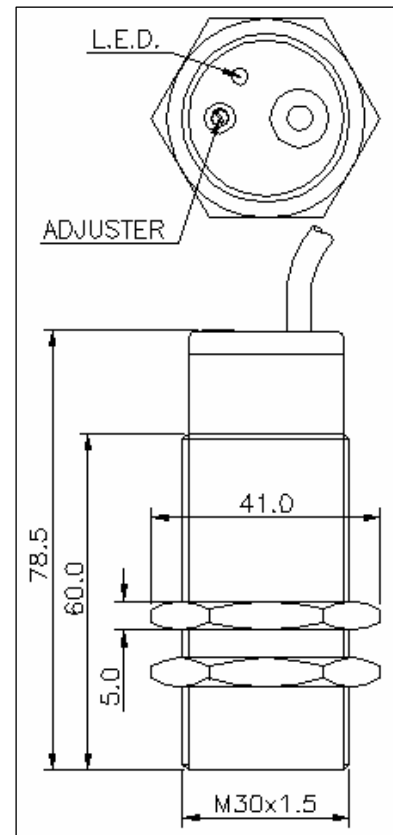
# Capacitive Proximity Sensors AC/DC



- Features:
- \* 2 Wire M30 Threaded
  - \* AC/DC
  - \* N/O or N/C
  - \* 3m Cable Type



| Function                       |    | Part Number           |
|--------------------------------|----|-----------------------|
| AC/DC NO (make function)       |    | <b>DKCUO-020V-DSN</b> |
| AC/DC NC (break function)      |    | <b>DKCUC-020V-DSN</b> |
|                                |    |                       |
| Sensing range. nom.            | mm | 0-20                  |
| Mounting application           |    | non-embeddable        |
| Rated operational voltage      | V  | 20-250 AC/DC          |
| Rated insulation voltage       | V  | 250                   |
| Rated operational current      | mA | 250                   |
| Utilization category           |    | DC13 / AC12           |
| IP Code (Protection Class)     |    | IP67                  |
| Pollution degree               |    | 3                     |
|                                |    |                       |
| Housing Size                   | mm | M30 x 1.5             |
| Housing material               |    | PBT                   |
| Connection                     |    | 3m 3w pvc cable       |
| Operating temperature          | °C | -25 to +70            |
|                                |    |                       |
| Repeat accuracy                | %  | <10                   |
| Differential travel            | %  | <20                   |
| Time delay before availability | ms | 20                    |
| Minimum operational current    | mA | <3                    |
| Off-state current              | mA | <2.5                  |
| Voltage drop                   | V  | 10                    |
|                                |    |                       |
| LED Function Display           |    | Yes                   |
| LED Power on Display           |    | No                    |



Drawing dimensions in millimeters



© American Electronic Components Inc 2007

American Electronic Components Inc.,  
1101 Lafayette Street, Elkhart, Indiana. USA  
Tel: +1-574-295-6330 Fax: +1-574-293-8013  
Email: [sales@aecsensors.com](mailto:sales@aecsensors.com)  
<http://www.aecsensors.com>