

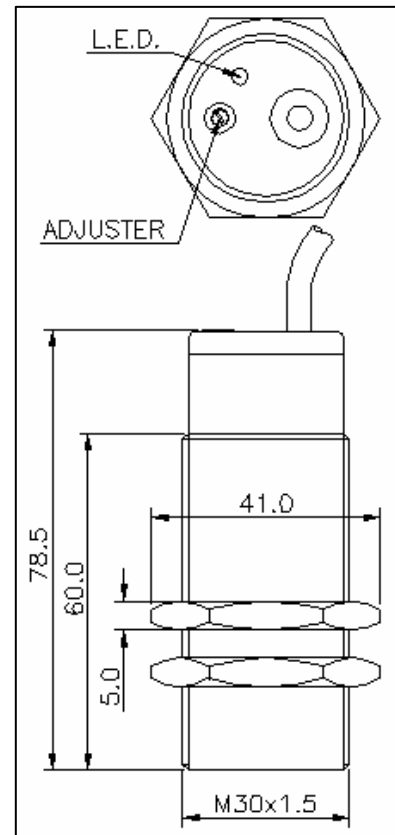
Capacitive Proximity Sensors AC/DC—Anti Static Type



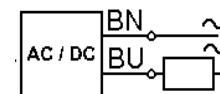
- Features:
- * 2 Wire M30 Threaded
 - * AC/DC
 - * N/O or N/C
 - * 3m Cable Type
 - * High Static Protection



Function		Part Number
AC/DC NO (make function)		DKCUO-010V-DSF-AS
AC/DC NC (break function)		DKCUC-010V-DSF-AS
Sensing range nom.	mm	0-10
Mounting application		non-embeddable
Rated operational voltage	V	20-250 AC/DC
Rated insulation voltage	V	250
Rated operational current	mA	250
Utilization category		DC13 / AC12
IP Code (Protection Class)		IP67
Pollution degree		3
Housing Size	mm	M30 x 1.5
Housing material		PBT
Connection		3m 3w pvc cable
Operating temperature	°C	-25 to +70
Frequency of operating cycles	Hz	10
Repeat accuracy	%	<10
Differential travel	%	<20
Time delay before availability	ms	20
Minimum operational current	mA	<3
Off-state current	mA	<2.5
Voltage drop	V	10
LED Function Display		Yes
LED Power on Display		No



Drawing dimensions in millimeters



© American Electronic Components Inc 2007

American Electronic Components Inc.,
1101 Lafayette Street, Elkhart, Indiana, USA
Tel: +1-574-295-6330 Fax: +1-574-293-8013
Email: sales@aecsensors.com
<http://www.aecsensors.com>