

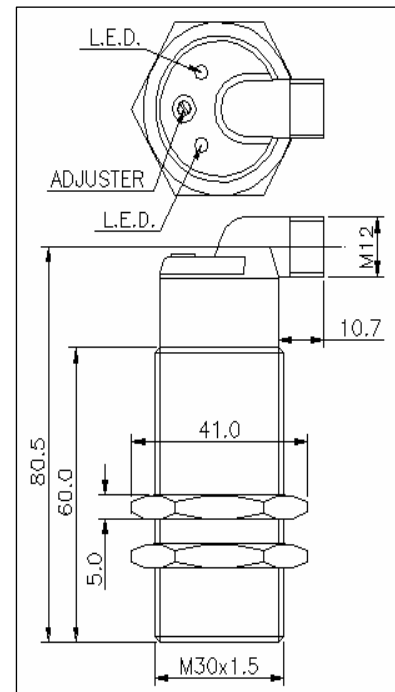
# Capacitive Proximity Sensors DC



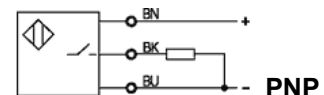
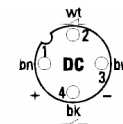
- Features:
- \* 3 Wire M30 Threaded
  - \* NPN or PNP
  - \* N/O or N/C
  - \* M12 Connector Type



Function		Part Number
PNP NO (make function)		<b>DKCPO-020V-DTN</b>
PNP NC (break function)		<b>DKCPC-020V-DTN</b>
NPN NO (make function)		<b>DKCNO-020V-DTN</b>
NPN NC (make function)		<b>DKCNC-020V-DTN</b>
Sensing range nom.	mm	0-20
Mounting application		non-embeddable
Rated operational voltage	V	10-30 DC
Rated insulation voltage	V	30 DC
Rated operational current	mA	250
Utilization category		DC13
IP Code (Protection Class)		IP67
Pollution degree		3
Housing Size	mm	M30 x 1.5
Housing material		PBT
Connection		4pin M12 plug
Operating temperature	°C	-25 to +70
Repeat accuracy	%	<10
Differential travel	%	<20
Frequency of operating cycles	Hz	100
Time delay before availability	ms	25
Minimum operational current	mA	<0.1
Off-state current	µA	<10
Voltage drop	V	2.5
No-load supply current	mA	<11
LED Function Display		Yes
LED Power on Display		No
Short circuit protection		Yes (≤100mA)
Reverse polarity protection		Yes
<b>Recommended Connector</b>		DKBR1-AD-02-V4



Drawing dimensions in millimeters



**American  
Electronic  
Components, Inc.**

© American Electronic Components Inc 2007

**American Electronic Components Inc.,**  
 1101 Lafayette Street, Elkhart, Indiana, USA  
 Tel: +1-574-295-6330 Fax: +1-574-293-8013  
 Email: [sales@aecsensors.com](mailto:sales@aecsensors.com)  
<http://www.aecsensors.com>