

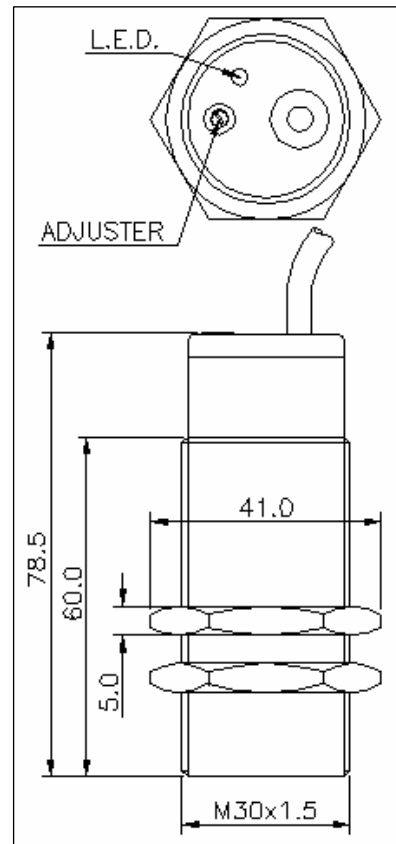
Capacitive Proximity Sensors DC



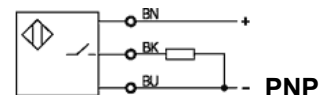
- Features:
- * 3 Wire M30 Threaded
 - * NPN or PNP
 - * N/O or N/C
 - * 3m Cable Type



Function		Part Number
PNP NO (make function)		DKCPO-020V-DSN
PNP NC (break function)		DKCPC-020V-DSN
NPN NO (make function)		DKCNO-020V-DSN
NPN NC (make function)		DKCNC-020V-DSN
Sensing range nom.	mm	0-20
Mounting application		non-embeddable
Rated operational voltage	V	10-30 DC
Rated insulation voltage	V	30 DC
Rated operational current	mA	250
Utilization category		DC13
IP Code (Protection Class)		IP67
Pollution degree		3
Housing Size	mm	M30 x 1.5
Housing material		PBT
Connection		3m 3w pvc cable
Operating temperature	°C	-25 to +70
Repeat accuracy	%	<10
Differential travel	%	<20
Frequency of operating cycles	Hz	100
Time delay before availability	ms	25
Minimum operational current	mA	<0.1
Off-state current	µA	<10
Voltage drop	V	2.5
No-load supply current	mA	<9
LED Function Display		Yes
LED Power on Display		No
Short circuit protection		Yes (≤100mA)
Reverse polarity protection		Yes



Drawing dimensions in millimeters



**American
Electronic
Components, Inc.**

© American Electronic Components Inc 2007

American Electronic Components Inc.,
 1101 Lafayette Street, Elkhart, Indiana. USA
 Tel: +1-574-295-6330 Fax: +1-574-293-8013
 Email: sales@aecsensors.com
<http://www.aecsensors.com>