

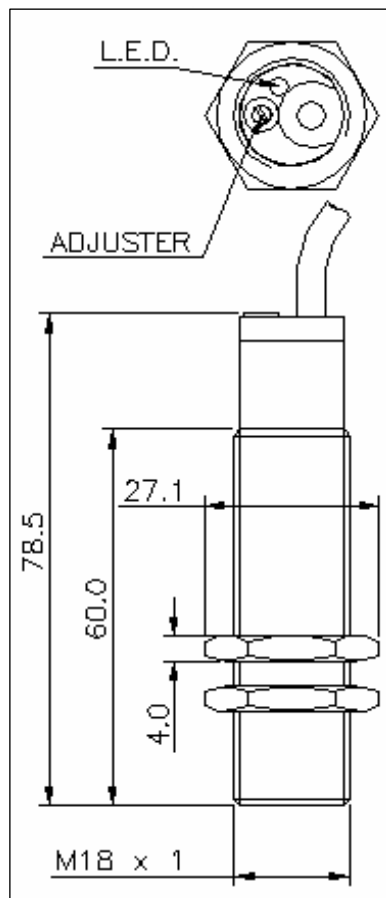
# Capacitive Proximity Sensors DC



- Features:
- \* 3 Wire M18 Threaded
  - \* NPN or PNP
  - \* N/O or N/C
  - \* 3m Cable Type



Function		Part Number
PNP NO (make function)		<b>DKCPO-010V-CSN</b>
PNP NC (break function)		<b>DKCPC-010V-CSN</b>
NPN NO (make function)		<b>DKCNO-010V-CSN</b>
NPN NC (make function)		<b>DKCNC-010V-CSN</b>
Sensing range nom.	mm	0-10
Mounting application		non-embeddable
Rated operational voltage	V	10-30 DC
Rated insulation voltage	V	30 DC
Rated operational current	mA	250
Utilization category		DC13
IP Code (Protection Class)		IP67
Pollution degree		3
Housing Size	mm	M18 x 1
Housing material		PBT
Connection		3m 3w pvc cable
Operating temperature	°C	-25 to +70
Voltage drop	V	2.5
Repeat accuracy	%	<10
Differential travel	%	<20
Frequency of operating cycles	Hz	200
Time delay before availability	ms	25
Minimum operational current	mA	<0.1
Off-state current	µA	<10
No-load supply current	mA	<9
LED Function Display		Yes
LED Power on Display		No
Short circuit protection		Yes (≤100mA)
Reverse polarity protection		Yes



Drawing dimensions in millimeters



**American  
Electronic  
Components, Inc.**

© American Electronic Components Inc 2007

**American Electronic Components Inc.,**  
 1101 Lafayette Street, Elkhart, Indiana. USA  
 Tel: +1-574-295-6330 Fax: +1-574-293-8013  
 Email: [sales@aecsensors.com](mailto:sales@aecsensors.com)  
<http://www.aecsensors.com>