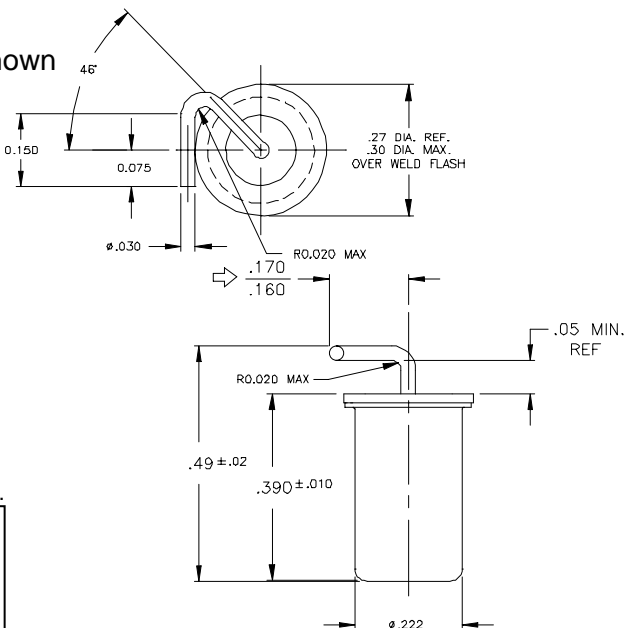


# Part No: 20590 - A1/2 Series Tip Over Switch – Non Mercury



- Features:**
- \* Un-Insulated
  - \* RoHS Compliant
  - \* Form: NO/SPST/Vertical Mount as Shown
  - \* Angles Referenced from Horizontal
  - \* Formed Single Electrode for SMT
  - \* Hermetically Sealed
  - \* Small Package Size
  - \* Narrow Included Angle
  - \* Long Life



Drawing dimensions in inches.

Tilt switches “make” when the electrode is tilted below horizontal and “break” when tilted above the horizontal. Total travel from “make” to “break” is the “Maximum included angle” shown below. The component to which the switch is attached must have a total tilt angle greater than the “Maximum included angle” for proper operation.

Must Make Angle * :	50° - 70° from vertical
Maximum included Angle:	N/A
<b>Switch Ratings:</b>	
Max Switching Voltage	3.6VDC
Max Switching Current	0.001A
Initial Contact Resistance (Max).	<500 ohms, 3.6VDC @ 700nanoamps
Stand Off Voltage (contact to contact)	1 kV AC
Operating Temperature	-38° to 220° F / -38° to 105° C
Storage Temperature	-40° to 356° F / -40° to 180° C
Typical number of operations at specified load	10,000,000
G-Force Activation G-Level/Range	N/A
<b>Dimensions:</b>	
Weight per 100pcs. Lbs / Kgs:	0.33 / 0.15
Body Length (less leads). Inches / Millimeters:	0.39 / 9.91
Maximum Diameter. Inches / Millimeters:	0.31 / 7.87
<b>Materials:</b>	
Lead Wire Type	N/A
Lead wire length/skive/termination	N/A
Finish:	Tin



© American Electronic Components Inc 2006

**American Electronic Components Inc.,**  
 1101 Lafayette Street, Elkhart, Indiana. USA  
 Tel: +1-574-295-6330 Fax: +1-574-293-8013  
 Email: [sales@aecsensors.com](mailto:sales@aecsensors.com)  
<http://www.aecsensors.com>